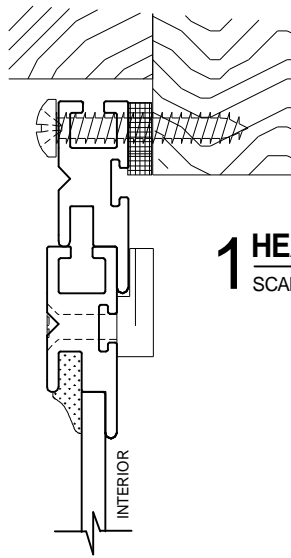
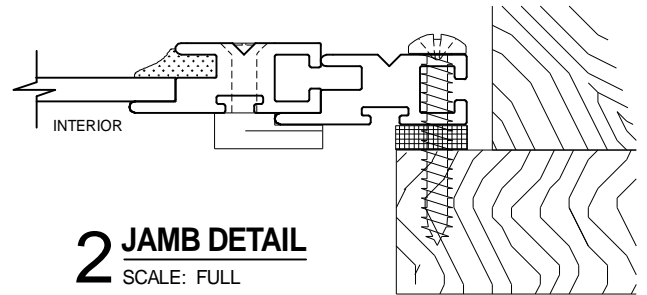
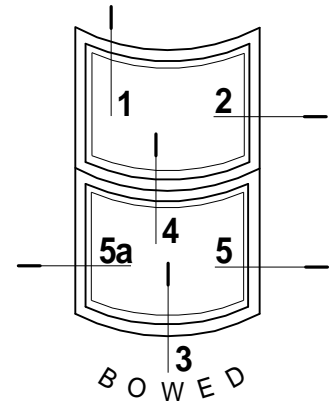


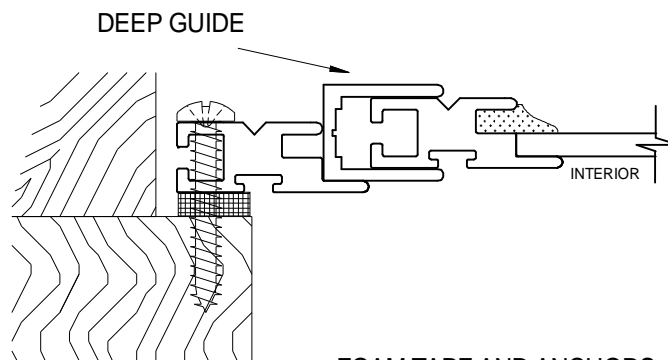
4 MUNTIN DETAIL
SCALE: FULL



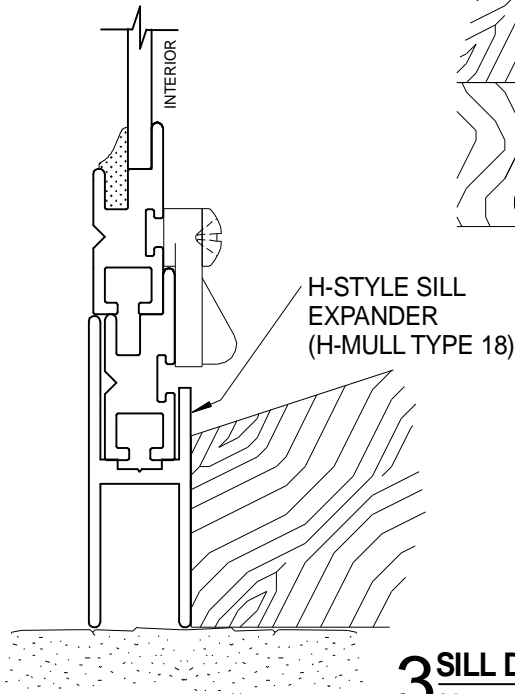
1 HEAD DETAIL
SCALE: FULL



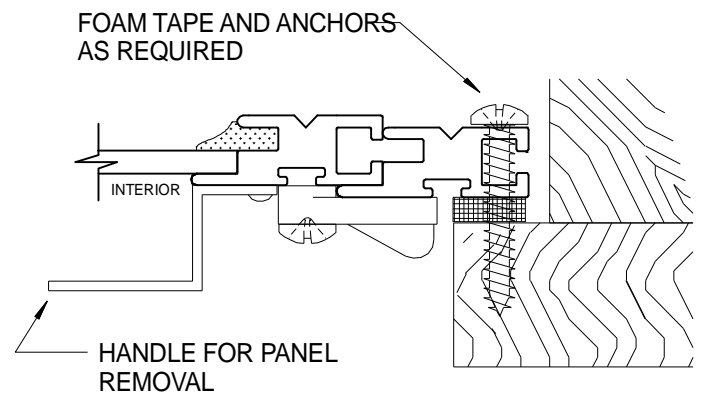
2 JAMB DETAIL
SCALE: FULL



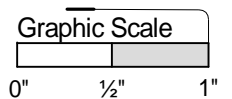
5a JAMB DETAIL
SCALE: FULL



3 SILL DETAIL
SCALE: FULL



5 JAMB DETAIL
SCALE: FULL

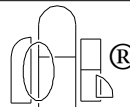


NOTE: INTERCHANGEABLE SCREEN AVAILABLE

PRODUCT
ALLIED ONE LITE • AOL-C-BIR • BOWED
TWO (2) REMOVABLE PANELS
TOP: Outside Removable - BOTTOM: Inside Removable

DWG. NO.

A-11



Allied Window
Performance Panels®

11111 CANAL ROAD • CINCINNATI, OH 45241 • PH: 800-445-5411, 513-559-1212 • FAX: 513-559-1883 • www.alliedwindow.com • info@alliedwindow.com